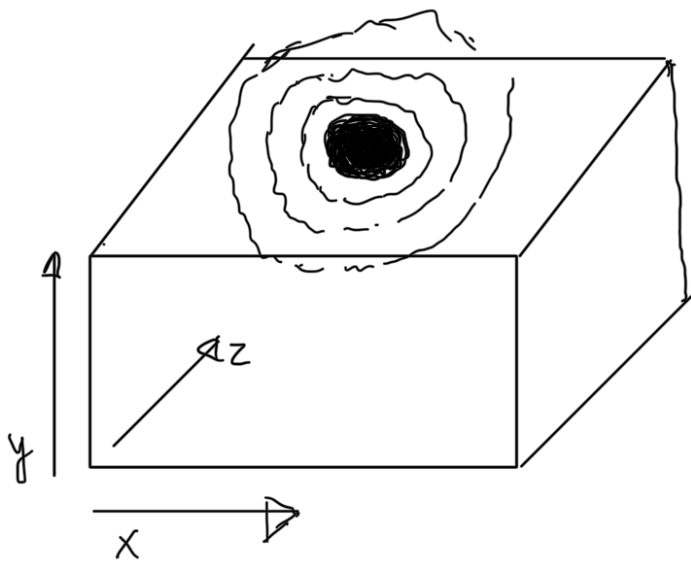


$$R_{\mu\nu} - \frac{1}{2} R g_{\mu\nu} + \Lambda g_{\mu\nu} = \frac{8\pi G}{c^4} T_{\mu\nu}$$

\uparrow Ricci curvature tensor \uparrow cosmological constant \uparrow Stress energy tensor

\uparrow
 geometry
 of spacetime
 (curvature)

\uparrow
 Distribution
 matter energy



Schwarzschild
 coordinate

$$\begin{aligned}
 x &= r_0 \sin \theta \cos \phi \\
 y &= r_0 \sin \theta \sin \phi \\
 z &= r_0 \cos \theta
 \end{aligned}$$

on off

rai non